

Air conditioner rooftop JORAN



The JORAN roof air conditioner has been designed to comply with both the user's comfort requirements and the manufacturer's economic and technical restraints.

From the "Top of Cab" project, on which SNDC's R&D teams have worked for three years, the SNDC roof air conditioner is a self-contained structure that includes all the components of a HVAC system. This patent-protected product offers a new approach to HVAC equipment for the customer.

It allows for the integration of a variety of fonctions for cost reduction : roof, heating, air conditioning, ventilation, lighting, radio, speakers, windscreen wipers, etc...

TECHNICAL SPECIFICATIONS

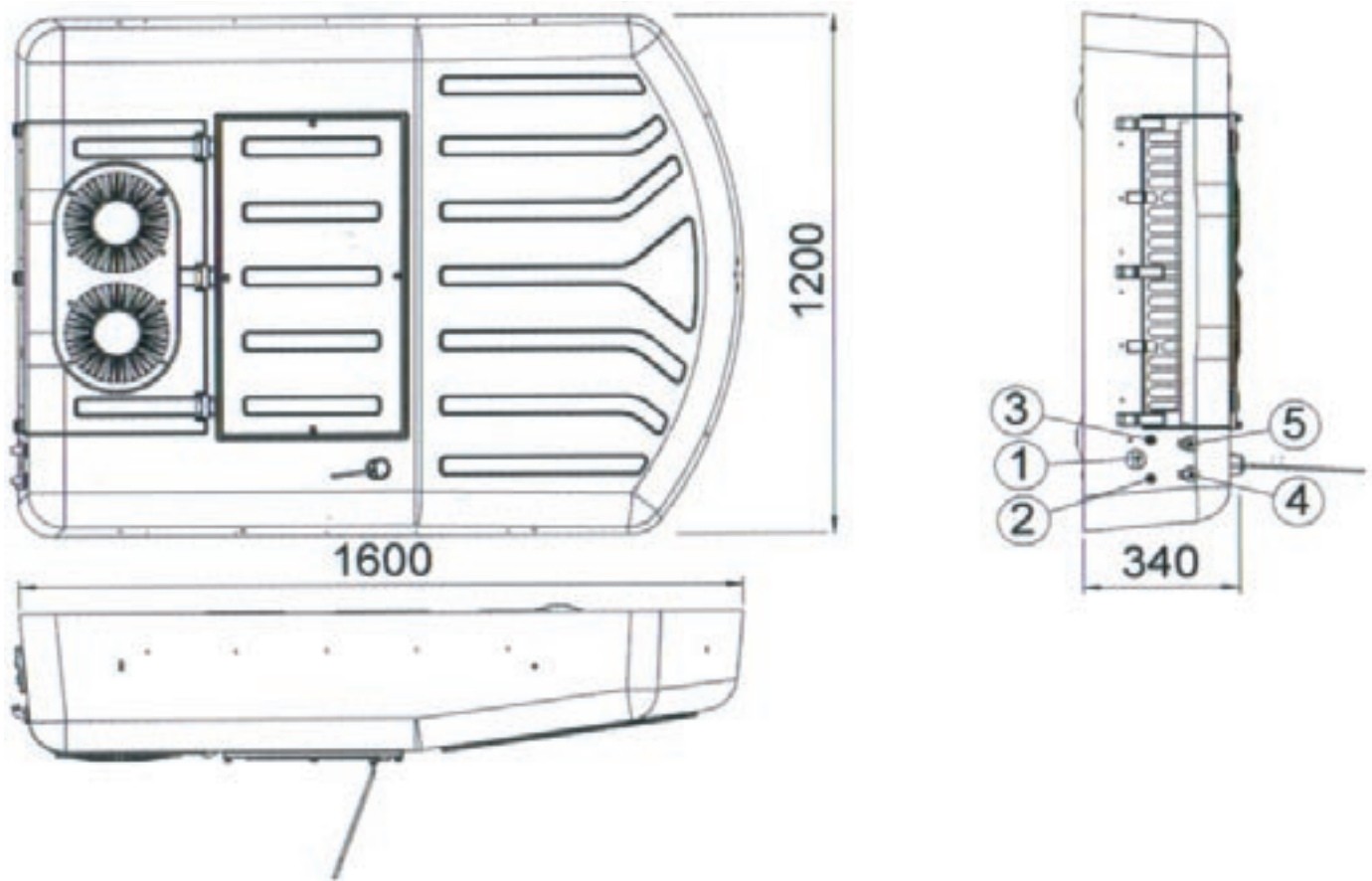
A/C performance	6,5KW IMACA Standard 200
Heating Performance	8,5 KW
Maximum air flow	900 m ³ /h
Electrical power	900 W
Weight	80 Kg
Outside air	45 %
Air filtration	EU5-F5
Toxic foltration	NF U 03-024
Pressurizer	200 mm CE
Compressor to be used	Sanden SD 7H15



Air conditioner rooftop JORAN



- Optimized assembly and easy access for servicing the different components
- Custom appearance.
- Conformity to ISO 14269 standard (cab environment). Possibility of integrating pressurization and toxic filtering devices conform to standards.

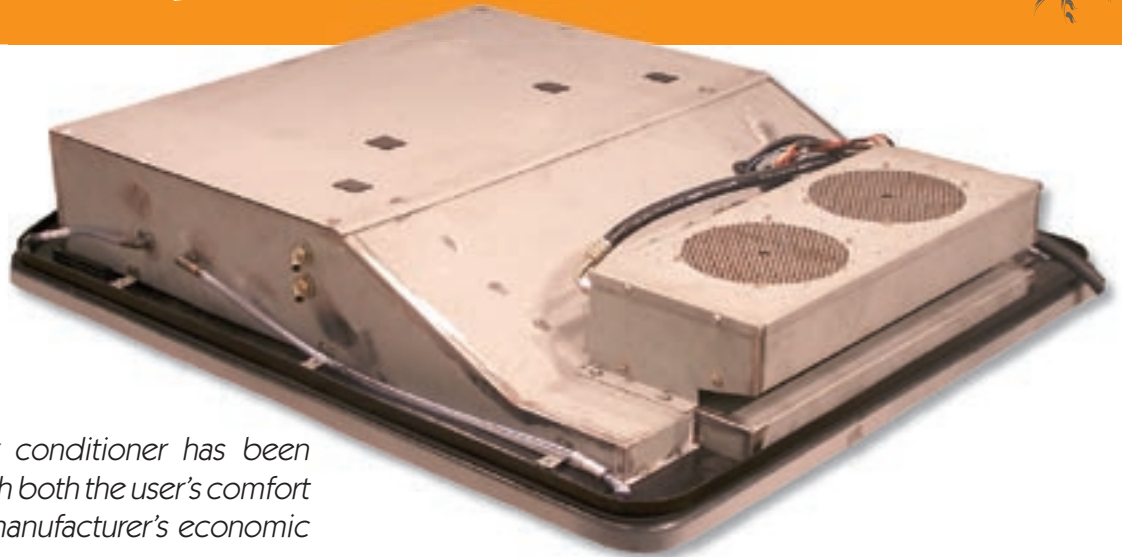


PART NUMBERS

P/N	Voltage		Pressurizer	Colour	Filtration	
	12 V	24V		White	Dust	Toxic
320A51	•			•	•	
320A52	•		•	•	•	•
320A57		•		•	•	
320A58		•	•	•	•	•



Air conditioner rooftop JORAN E



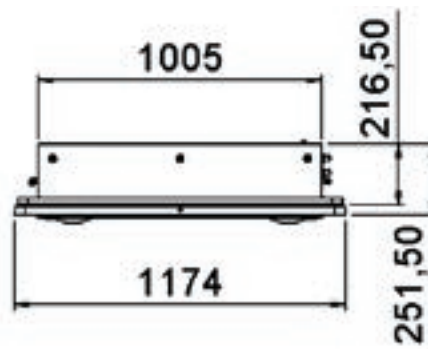
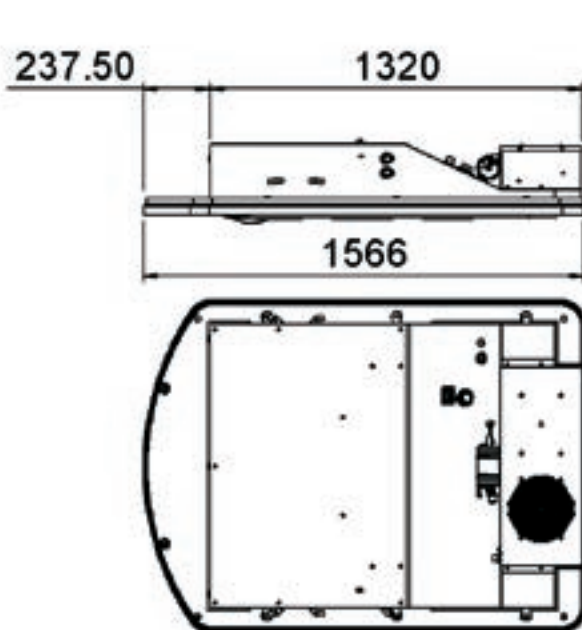
The JORAN E roof air conditioner has been designed to comply with both the user's comfort requirements and the manufacturer's economic and technical restraints.

From the "Top of Cab" project, on which SNDC's R&D teams have worked for three years, the SNDC roof air conditioner is a self-contained structure that includes all the components of a HVAC system. This patent-protected product offers a new approach to HVAC equipment for the customer. The manufacturer can install his roof on the JORAN E.

It allows for the integration of a variety of fonctions for cost reduction : roof, heating, air conditioning, ventilation, lighting, radio, speakers, windscreen wipers, etc...

TECHNICAL SPECIFICATIONS

A/C performance	6,5KW IMACA Standard 200
Heating Performance	8,5 KW
Maximum air flow	900 m ³ /h
Electrical power	900 W
Weight	80 Kg
Outside air	45 %
Air filtration	EU5-F5
Toxic foltration	NF U 03-024
Pressurizer	200mm CE
Compressor to be used	Sanden SD 7H15



PART NUMBERS

Voltage		Pressurizer	Filtration	
12 V	24V		Dust	Toxic
320A78	320A80		•	
320A79	320A81	•	•	•

- Optimized assembly and easy access for servicing of the different components
- Custom appearance.
- Conformity to ISO 14269 standard (cab environment). Possibility of integrating pressurization and toxic filtering devices conform to standards.

